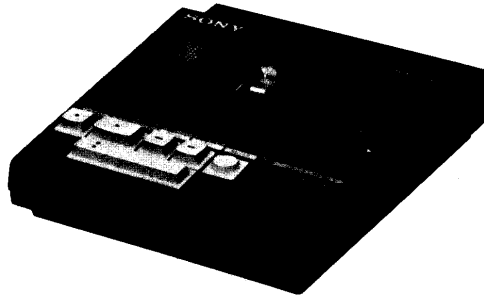


# SDC-500

## SERVICE MANUAL

AEP Model  
UK Model



### SPECIFICATIONS

Tape Transport Mechanism Type MT-SDC500-06

Recording system	2-track 2-channel monaural
Baud rate	Maximum 2,400 bps
Speaker diameter	14 mm ( $\frac{9}{16}$ inches), magnetic horn
Fast forward/rewind time	Approximately 2 min. (using a Sony CHF-60 cassette tape)
Frequency response	50 to 10,000 Hz
Input	SAVE jack (minijack) Input impedance 10 kohms
Output	LOAD jack (minijack)
Other jack	REMOTE jack (special minijack)
Battery life	Approximately 2.5 hours of continuous operation
Power requirements	6 V dc Four batteries, IEC designation R6 (size AA) DC IN 6 V jack accepts: the following optional Sony ac power adaptors

where used	ac power adaptor	input voltage of the adaptor
UK model	AC-15A (available in the United Kingdom)	240 V ac, 50 Hz
AEP model	AC-122 (available in European countries)	220 V ac (110, 127 or 240 V ac, adjustable) 50 Hz

Dimensions	140 × 49 × 177 mm (w/h/d) ( $5\frac{5}{8}$ × $1\frac{9}{16}$ × 7 inches) (including projecting parts and controls)
Weight	520 g (1 lb 2 oz) incl. batteries

### FEATURES

- The ADS (Auto Data Selector) system easily locates the beginning of the programs saved on a cassette.
- Saving data and programs is simple—just insert the cassette and press the SAVE button. The **Automatic Gain Control system** adjusts and maintains the recording level.
- The **automatic shut-off mechanism** turns the recorder off at the end of the tape in both the SAVE and LOAD modes.
- The **tape transport mechanism** allows fast forward and rewind functions to be performed even during remote control operation (MOTOR OFF command).
- The **speaker monitor system** lets you check saving and loading operation aurally.
- The SDC-500 can be used as a high-speed interface. (Up to **2,400 bits per second** can be transmitted depending on the personal computer used.)
- **Two different power sources:** house current (using the optional ac power adaptor) or batteries.

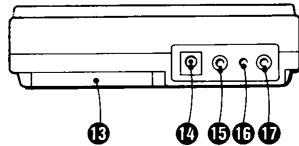
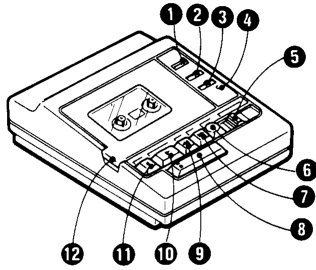


BITCORDER  
**SONY**®

*Scanned and covered to PDF by HansO, 2001  
Original supplied by Bas Kornalijnslijper, MCWF*

# SDC-500

## LOCATION AND FUNCTION OF CONTROLS



**1 Tape counter and counter reset button**

**2 PHASE (load phase) select switch**

When loading cannot be performed normally due to differences in the recording quality of computer-recorded or commercially available cassette tapes, use this switch (NOR or REV) to adjust. Usually, set this switch to the NOR position.

**3 MONITOR select switch**

Programs and data saved on cassette are converted to a static-like sound signal. This sound can be monitored using the built-in speaker by setting the MONITOR select switch to L or H during save and load operations.

**OFF:** Sound is not monitored. (The sound cannot be heard through the speaker.)

**L:** Low volume

**H:** High volume

**4 LOAD/SAVE/OPR (operation and battery indicator) lamp**

This lamp is used to indicate the recorder operation and battery condition.

**SAVE (red):** Indicates that the recorder is operating in the SAVE mode.

**LOAD (green):** Indicates that the recorder is operating in a mode other than SAVE (load, fast forward, rewind, etc.).

● When batteries are used as the power source, this lamp is used to check battery condition.

**5 LOAD LEVEL (playback level) control**

**6 MUTE button**

**7 ►► FF/CUE (fast forward/cue) button**

**8 ■ STOP/EJECT button**

**9 ◀◀ REW/REVIEW (rewind/review) button**

**10 ► LOAD (play) button**

**11 ● SAVE (record) button**

**12 Cassette compartment lid**

**13 Battery compartment (bottom)**

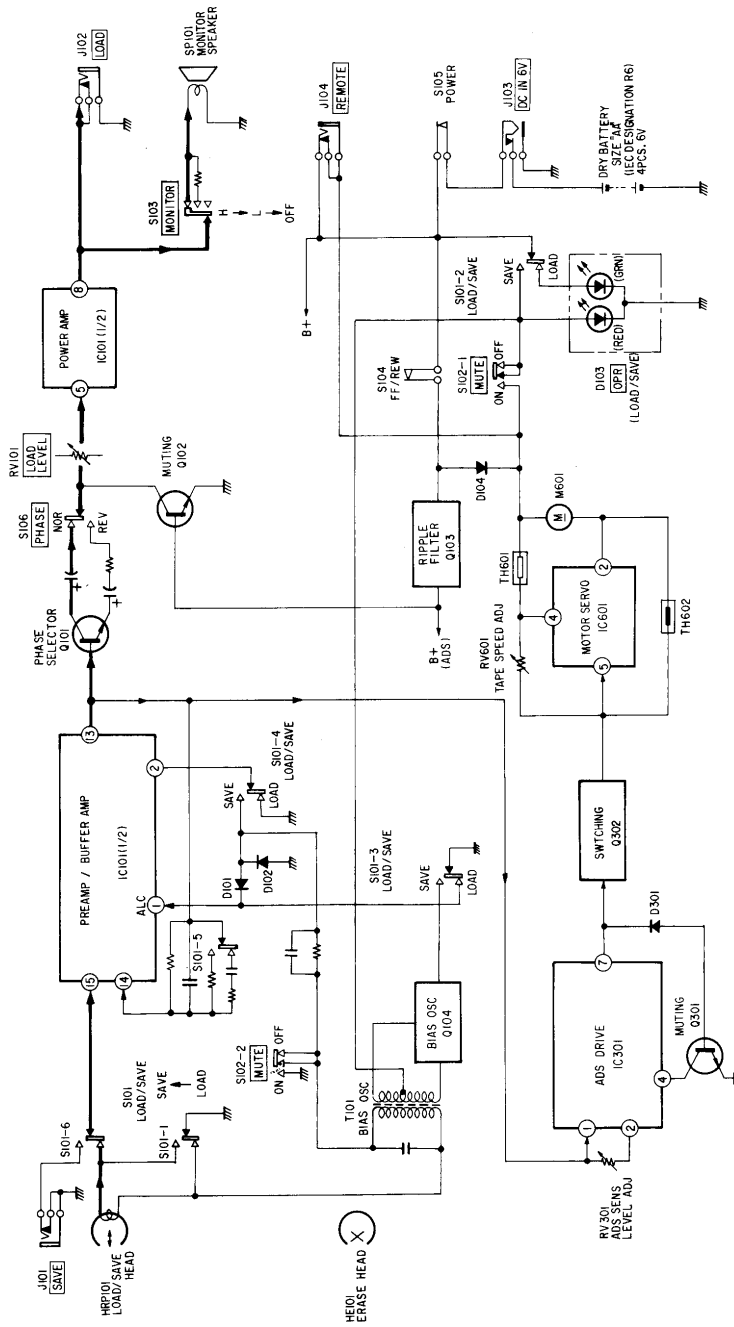
**14 DC IN 6V (DC power input) jack**

**15 LOAD (output) jack**

**16 REMOTE (remote control) jack**

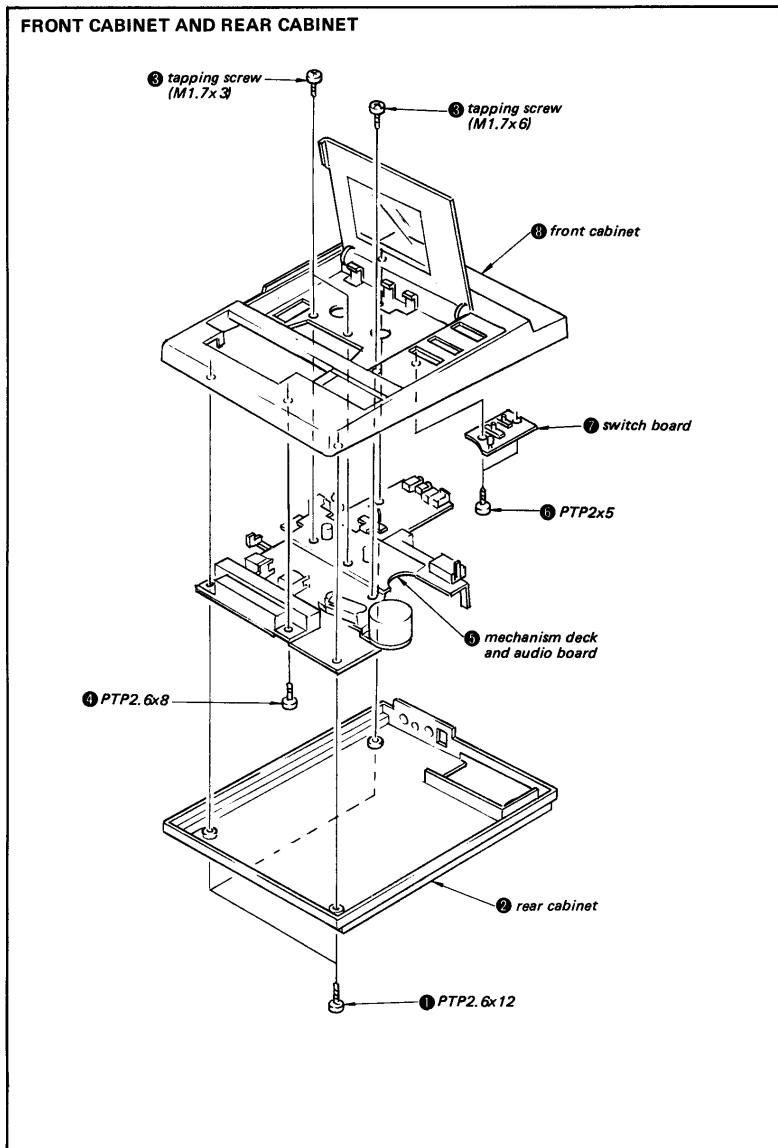
**17 SAVE (input) jack**

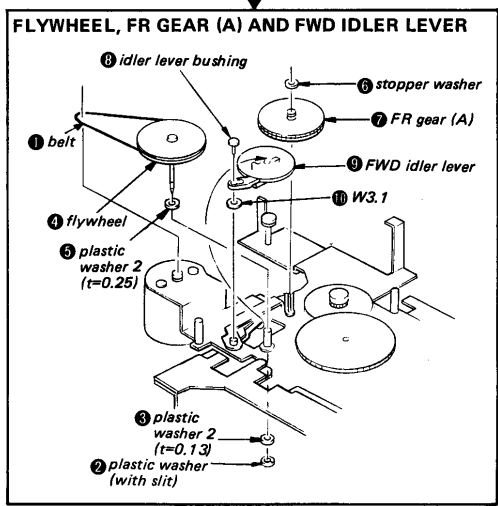
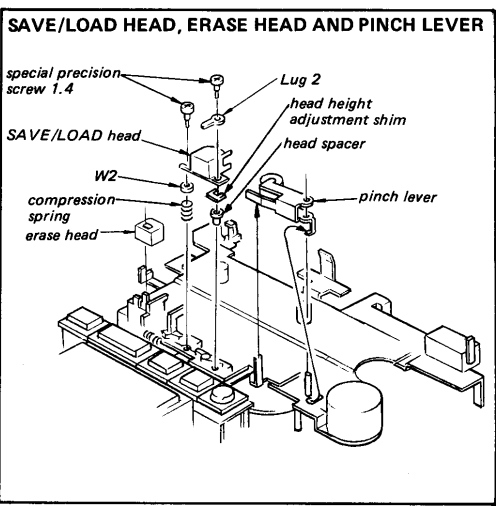
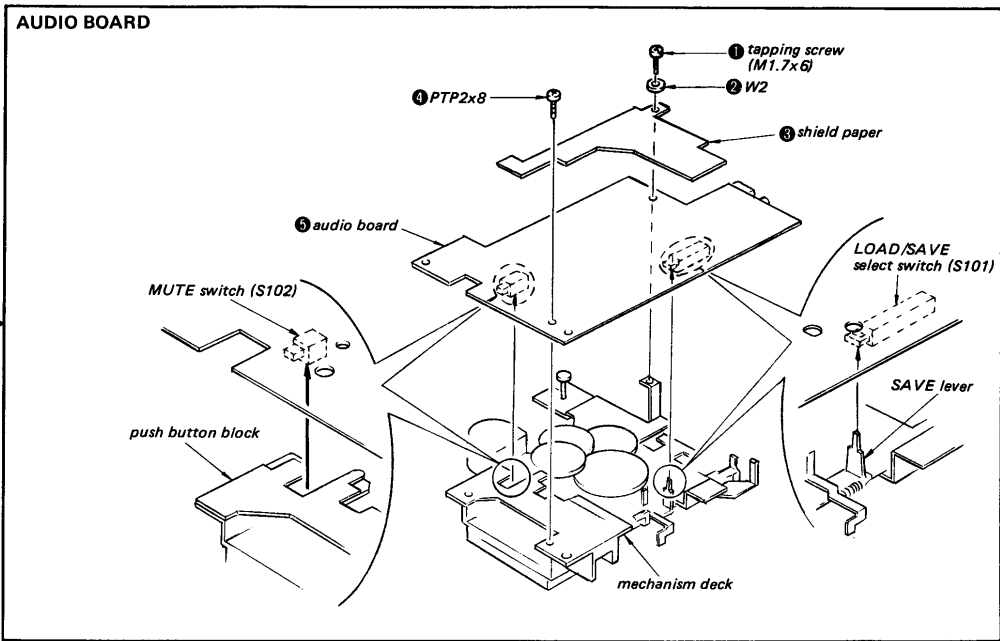
SECTION 1  
BLOCK DIAGRAM



**SECTION 2  
DISASSEMBLY**

- Follow the disassembly procedure in the numerical order given.





**SECTION 3  
ADJUSTMENTS**

**3-1. MECHANICAL ADJUSTMENT  
AND MEASUREMENT**

**PRECAUTION**

- Clean the following parts with a denatured-alcohol-moistened swab:
 

SAVE/LOAD head	pinch roller
erase head	rubber belts
capstan	idlers
- Demagnetize the SAVE/LOAD head with a head demagnetizer. (Do not bring the head demagnetizer close to the erase head.)
- Do not use a magnetized screwdriver for the adjustments.
- After the adjustments, apply suitable locking compound to the parts adjusted.
- The adjustments should be performed with the rated power supply voltage unless otherwise noted.

**Torque Measurement**

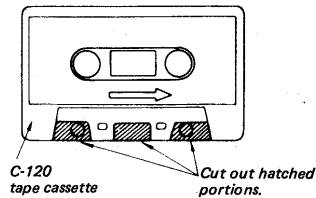
Torque	Meter Reading	Torque Meter
Load (Playback)	23-53 g·cm (0.32-0.74 oz·inch)	CQ-102C
Fast Forward and Rewind	52.5-90 g·cm (0.73-1.25 oz·inch)	CQ-201B
Back Tension	2-5 g·cm (0.028-0.069 oz·inch)	CQ-102C

**Tape Tension Measurement**

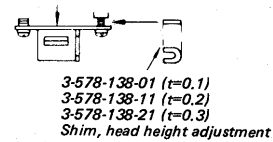
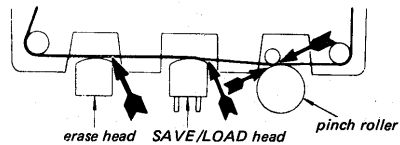
Meter	Meter Reading
CQ-403A	More than 110 g (3.88 oz)

**Head Height Adjustment**

- Prepare an adjustment cassette as shown below.



- In LOAD (playback) mode and viewing from the front, adjust the head heights to eliminate tape curl and tape twist at portions shown by arrow.

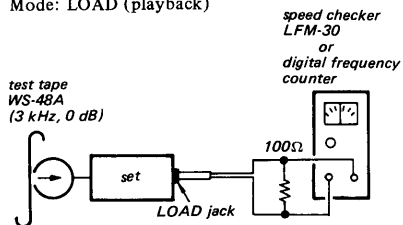


**3-2. ELECTRICAL ADJUSTMENTS**

**Tape Speed Adjustment**

**Procedure:**

Mode: LOAD (playback)

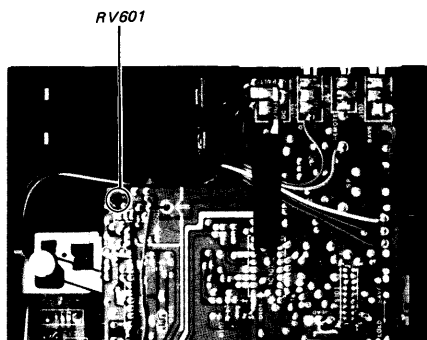


**Specification:**

Speed checker	Digital frequency counter
±2%	2,940–3,060 Hz

Frequency difference between the beginning and the end of the tape should be within 1% (30 Hz).

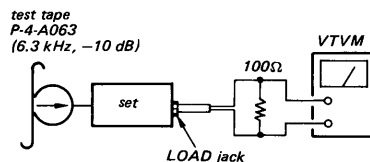
**Adjustment Location:**



**SAVE/LOAD Head Azimuth Adjustment**

**Procedure:**

1. Mode: LOAD (playback)



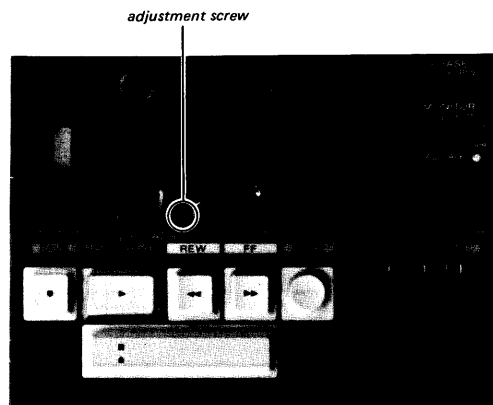
2. Turn the adjustment screw to obtain the maximum reading on VTVM.

**Note:** Several peaks may appear, but take the maximum.

Adjustment should be completed by turning the screw in the clockwise direction.

3. After the adjustment, lock the adjustment screw with suitable locking compound.

**Adjustment Location:**



# SDC-500

## ADS SENS Level Adjustment

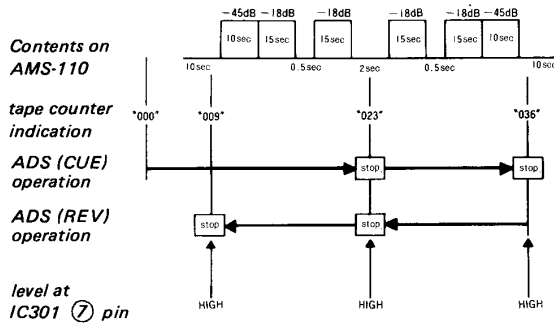
No adjustment is required for this adjustment. When replacing SAVE/LOAD head, confirm that the following symptom is not generated in ADS operation.

- Tape stops running at recorded portion of the tape.
- Tape does not stop running when blank portion on tape passes on the head.

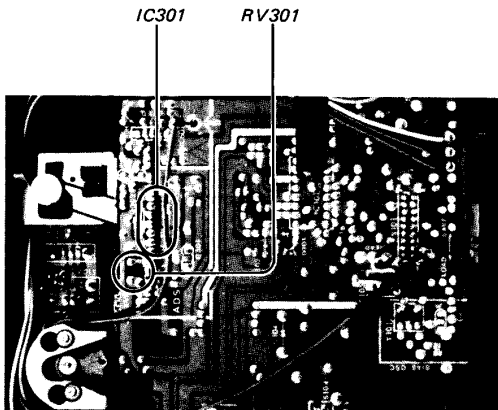
If these failures are found, make the adjustment as follows.

### Procedures:

1. Insert the test tape AMS-110 and rewind it. Set tape counter to "000".
2. When ADS (CUE) operation or ADS (REV) operation is made, adjust RV301 so that tape stops running at four portions shown in figure below.



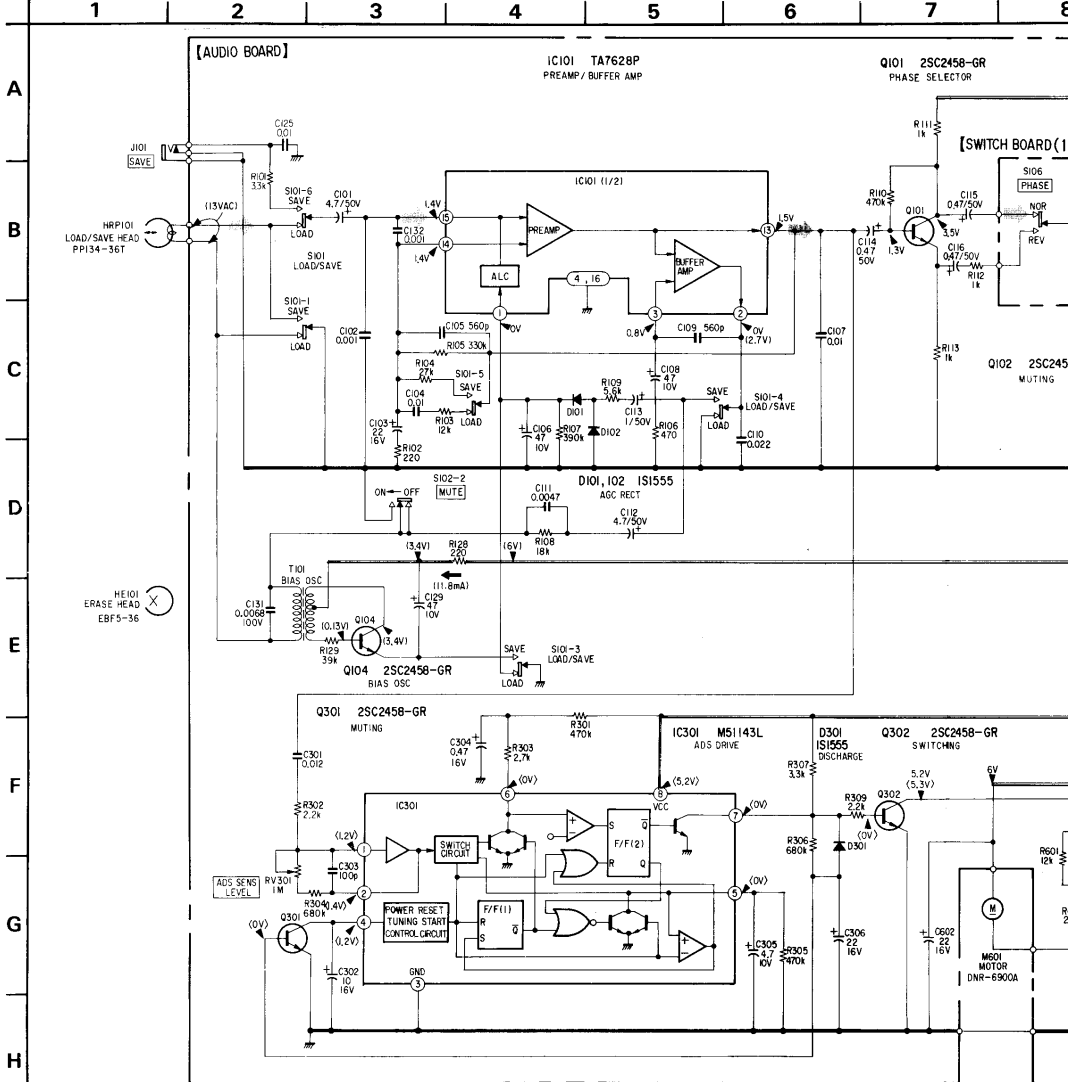
### Adjustment Location:





SECTION 4  
DIAGRAMS

4-1. SCHEMATIC DIAGRAM

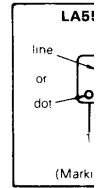


Notes:

- All capacitors are in  $\mu\text{F}$  unless otherwise noted.  $\text{pF}$ :  $\mu\text{pF}$  50 WV or less are not indicated except for electrolytics and tantalums.
- All resistors are in  $\Omega$  and  $\frac{1}{4}\text{W}$  or less unless otherwise specified.
- : signal path.
- : B+ bus.
- : adjustment for repair.
- AC voltage readings with a AUTO VOLTMETER.
- Total current is measured with no cassette installed.

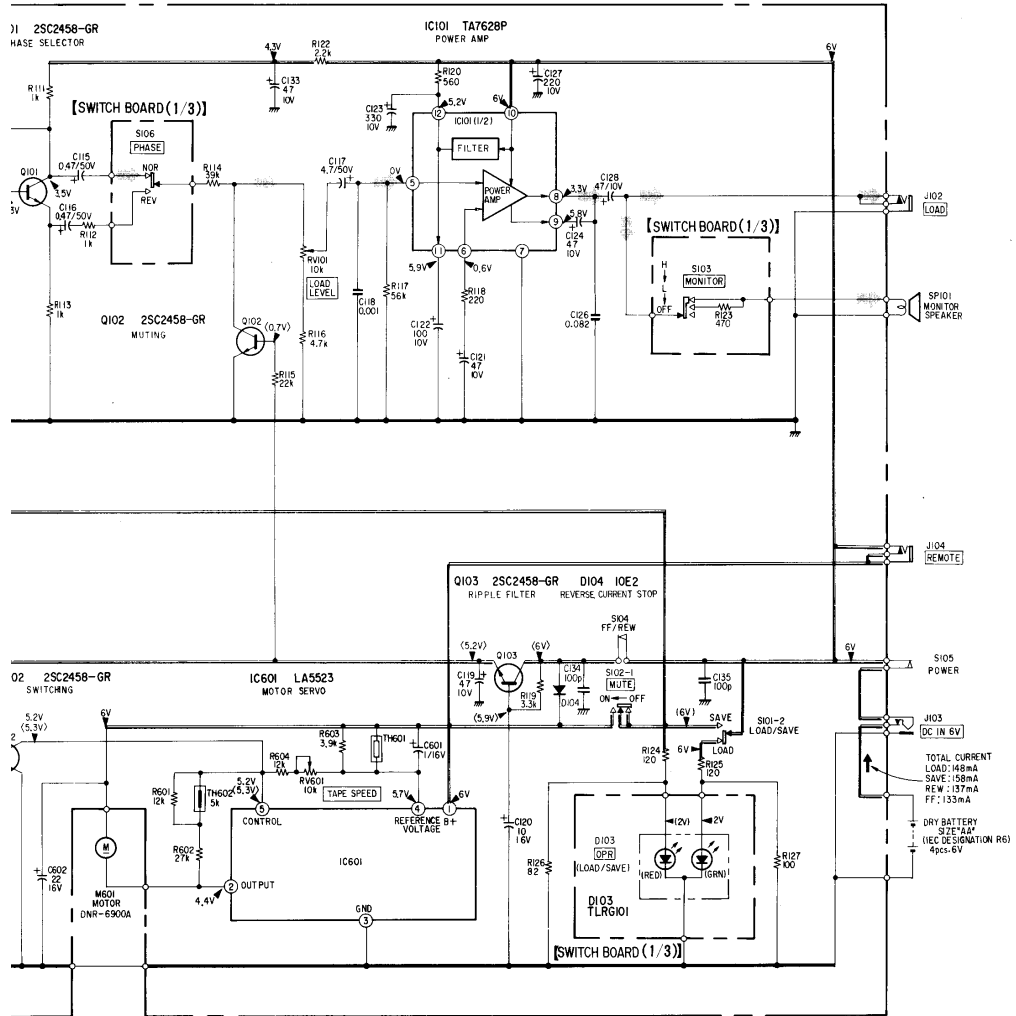
- Power voltage is DC 6V and fed with regulated DC power supply from battery terminal. Voltages are dc with respect to ground in no-signal conditions. Voltage variations may be noted due to normal production tolerances.
- no mark : LOAD (playback) mode
- ( ) : SAVE (record) mode
- < > : FF, REW or ADS mode

• Semicon



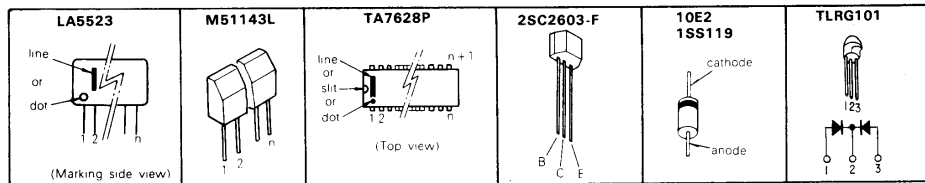
# 0 SDC-500

7 8 9 10 11 12 13 14



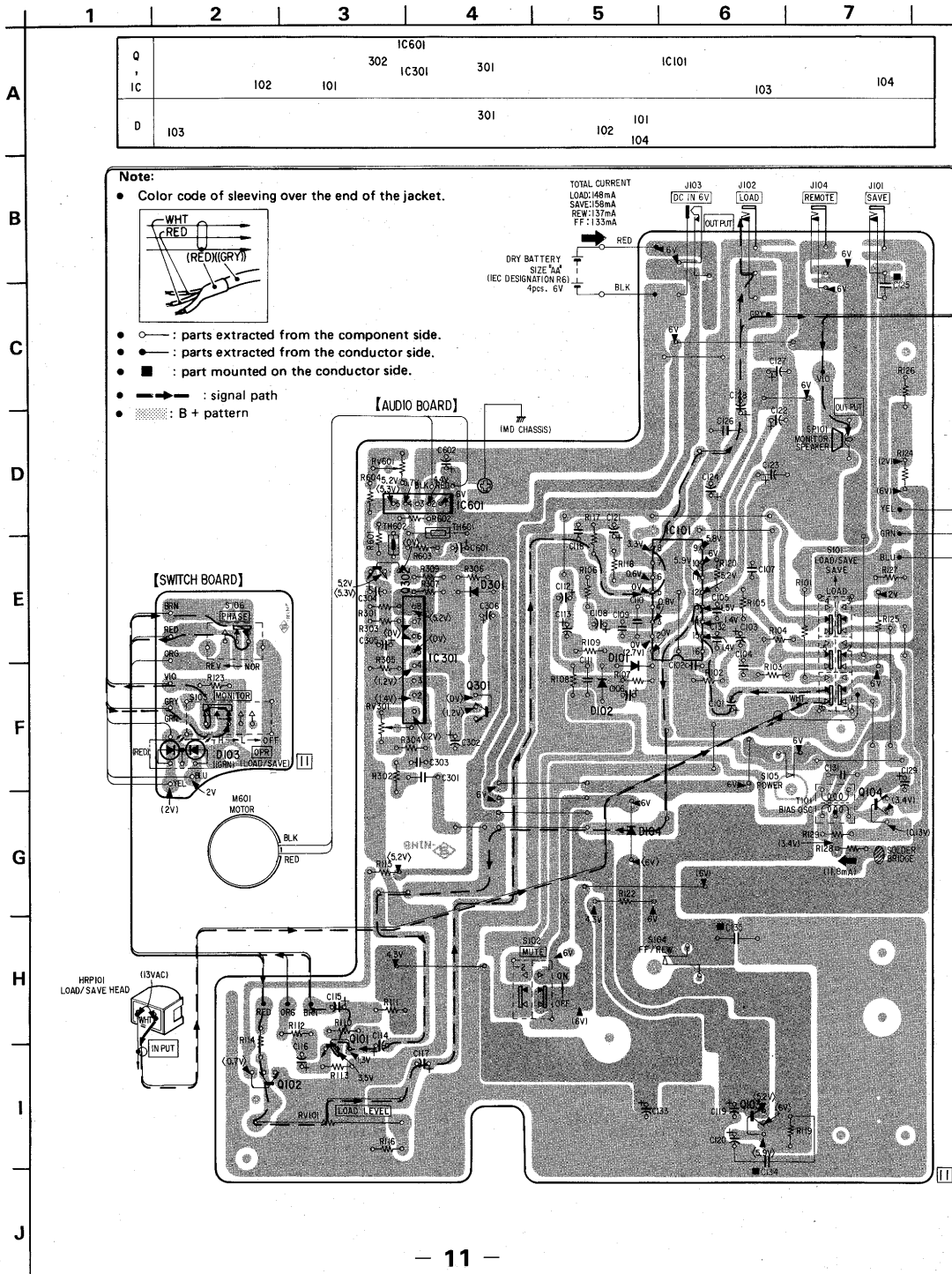
## • Semiconductor Lead Layouts

C power  
nal con-  
produc-



4-2. MOUNTING DIAGRAM

-Conductor Side-



# SDC-500

## SECTION 5

### EXPLODED VIEWS

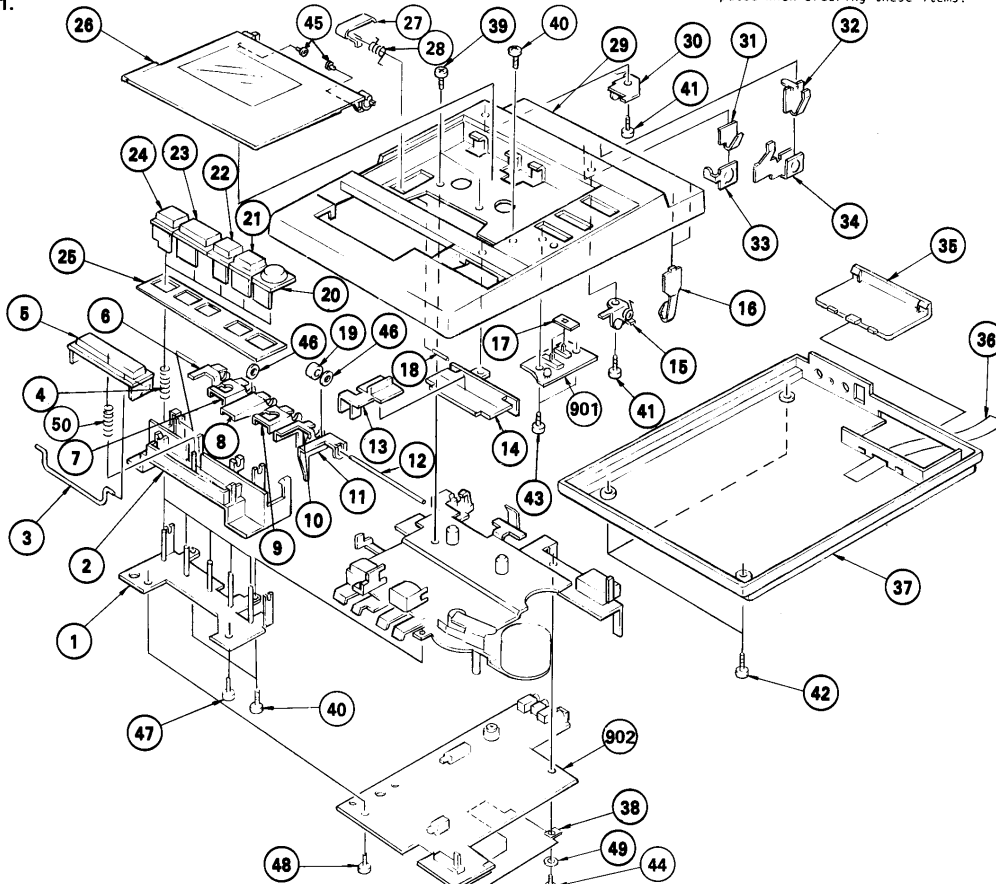
**NOTE:**

The mechanical parts with no reference number in the exploded views are not supplied.

The construction parts of an assembled part are indicated with a collation number in the remark column.

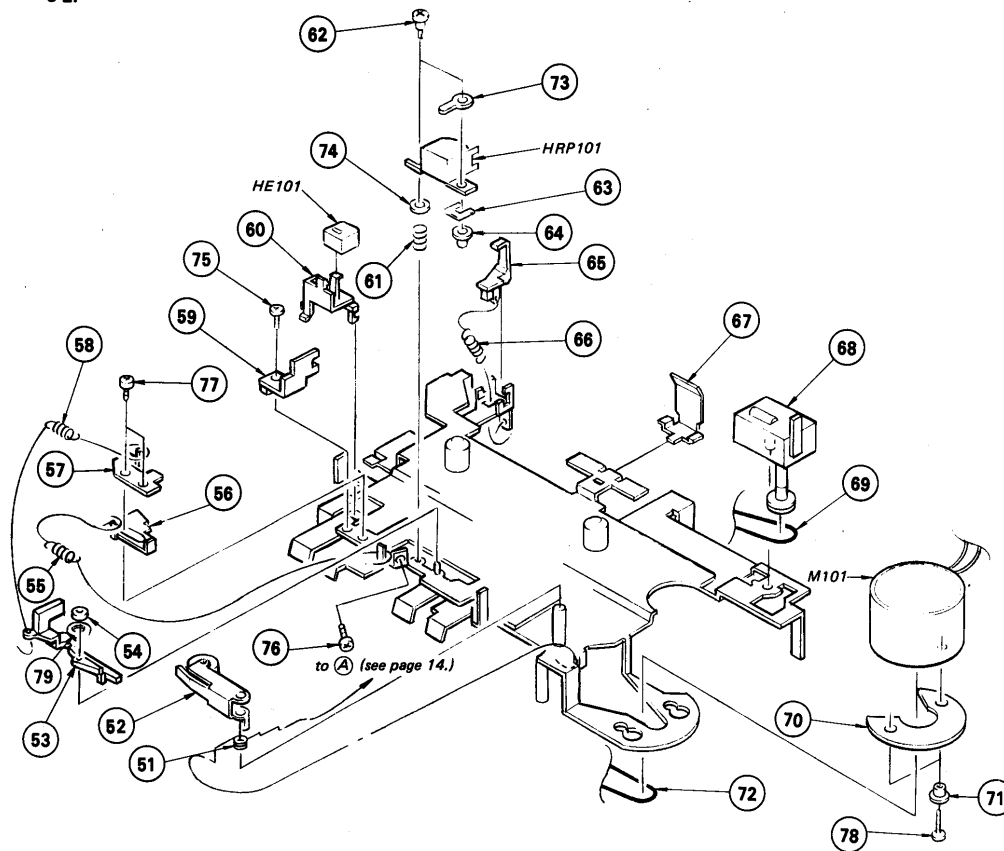
Items marked "\*" are not stocked since they are seldom required for routine service. Some delay should be anticipated when ordering these items.

5-1.



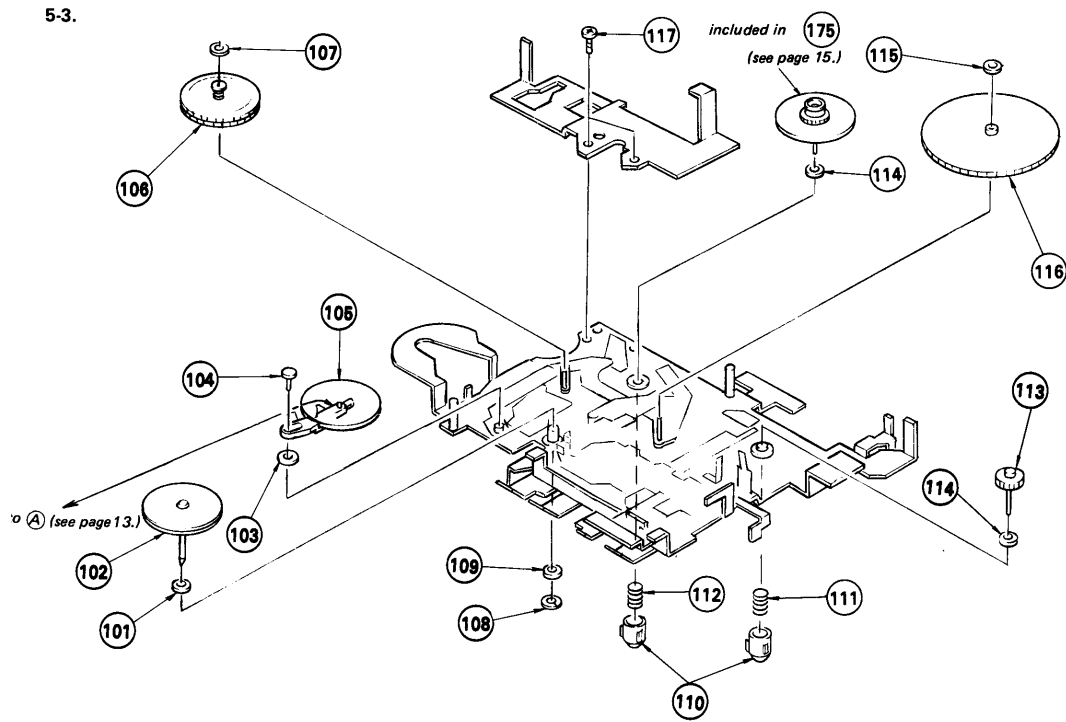
No.	Part No.	Description	REMARKS	No.	Part No.	Description	REMARKS
1	*X-3595-607-1	BRACKET ASSY, BUTTON BASE		27	3-321-022-01	LEVER, EJECT	
2	*3-595-620-01	BASE, PUSH BUTTON		28	3-318-215-01	SPRING	
3	*3-595-648-01	LINK, BUTTON		29	X-3595-616-1	CABINET (FRONT) ASSY	
4	3-595-615-01	SPRING, COMPRESSION		30	X-3595-609-1	SPRING (RIGHT) ASSY	
5	3-595-606-01	BUTTON, STOP		31	3-309-406-00	TERMINAL BOARD (B), BATTERY	
6	3-595-616-01	LEVER (SA), BUTTON		32	3-309-407-00	TERMINAL BOARD (C), BATTERY	
7	3-595-609-01	LEVER (L), BUTTON		33	3-309-408-00	TERMINAL BOARD (D), BATTERY	
8	3-595-613-01	LEVER (S), BUTTON		34	3-309-443-00	SPRING, LEAF	
9	3-595-611-01	LEVER (R), BUTTON		35	3-595-618-01	LID, BATTERY CASE	
10	3-595-610-01	LEVER (F), BUTTON		36	3-595-663-01	RIBBON, BATTERY	
11	3-595-612-01	LEVER (M), BUTTON		37	3-595-621-11	CABINET (REAR)	
12	*3-595-614-01	SHAFT, BUTTON		38	3-595-656-01	PAPER, SHIELD	
13	3-595-623-01	KNOB, VOLUME		39	3-318-204-81	SCREW (M1.7X3), TAPPING	
14	3-595-624-01	PANEL, CONTROL, VOLUME		40	3-318-204-31	SCREW (M1.7X6), TAPPING	
15	X-3595-612-1	SPRING (LEFT) ASSY		41	7-685-132-14	SCREW +P 2.6X5 TYPE2 NON-SLIT	
16	3-309-442-00	TERMINAL BOARD, BATTERY (A)		42	7-685-136-19	SCREW +P 2.6X12 TYPE2 NON-SLIT	
17	*3-595-607-01	PLATE, BLIND		43	7-685-103-14	SCREW +P 2X5 TYPE2 NON-SLIT	
18	3-703-357-06	PIN, PARALLEL (DIA. 1.6X14)		44	3-318-204-21	SCREW (M1.7X6), TAPPING	
19	3-595-653-01	BUSHING, BUTTON LEVER		45	7-623-610-01	EYELET, 1.5X2.5	
20	3-595-605-01	BUTTON, MUTE		46	3-701-439-11	WASHER (t=0.25)	
21	3-595-604-01	BUTTON, FF		47	7-685-134-14	SCREW +P 2.6X8 TYPE2 NON-SLIT	
22	3-595-603-01	BUTTON, REW		48	7-685-105-14	TPG +P 2X8, TYPE 2, NON-SLIT	
23	3-595-602-01	BUTTON, LOAD		49	7-688-001-01	W 2, SMALL	
24	3-595-601-01	BUTTON, SAVE		50	3-595-655-01	SPRING, COMPRESSION	
25	3-595-654-01	PLATE, BLIND, DECK		901	*1-614-430-11	PC BOARD, SWITCH	
26	X-3595-613-1	LID ASSY, CASSETTE		902	*1-614-429-11	PC BOARD, AUDIO	

5-2.



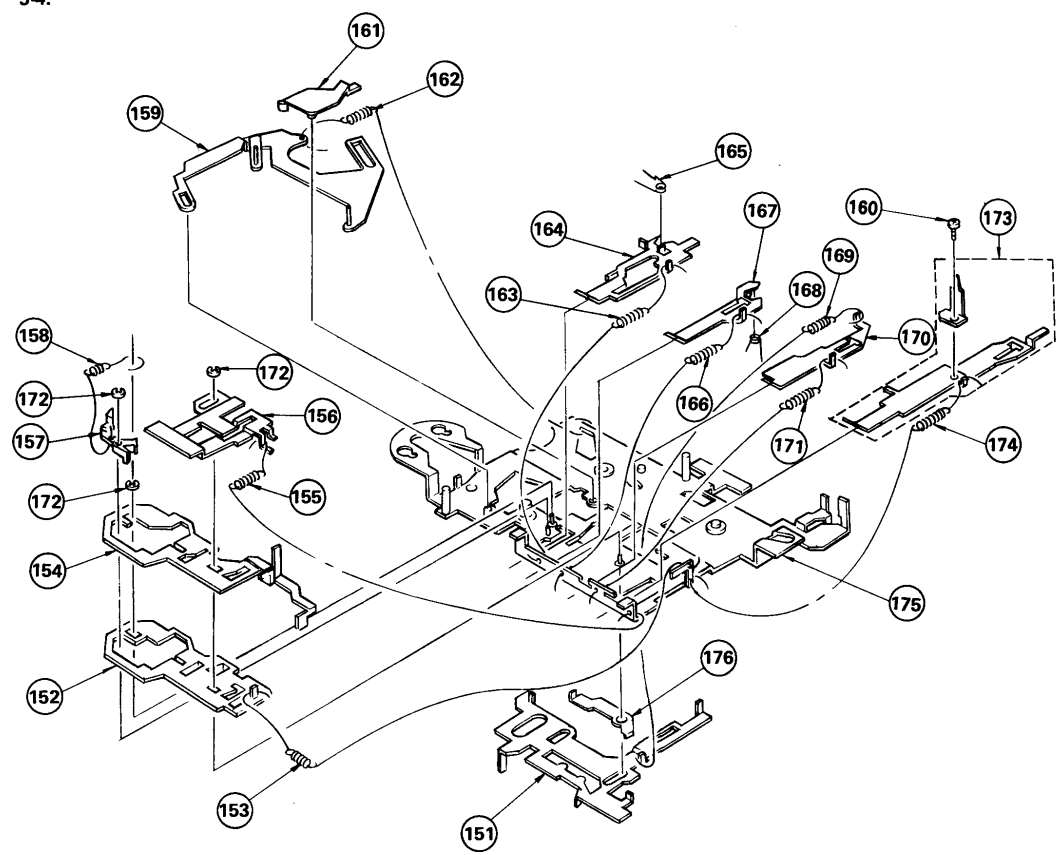
No.	Part No.	Description	REMARKS	No.	Part No.	Description	REMARKS
51	3-318-275-01	SPRING		65	3-318-286-01	LEVER, ERASING PROTECTION	
52	A-3110-010-A	PINCH LEVER ASSY		66	3-318-336-01	SPRING, TENSION	
53	3-318-252-01	ARM, DETECTION		67	3-318-269-01	SPRING	
54	3-570-615-00	POLY-WASHER (DIA.1.2)		68	1-548-585-11	COUNTER, TAPE (SMALL TYPE)	
55	3-570-590-00	SPRING, TENSION		69	3-302-471-00	BELT (38X0.6)	
56	3-595-633-01	PLATE, FIXED, HD ADJUSTMENT		70	3-318-254-01	CUSHION, MOTOR	
57	3-595-632-01	PLATE, ADJUSTMENT, HD		71	*3-318-310-01	COLLAR, MOTOR	
58	3-595-657-01	SPRING, TENSION		72	3-318-242-01	BELT	
59	3-595-631-01	GUIDE, TAPE		73	7-623-505-01	LUG, 2	
60	3-318-285-01	BRACKET, ERASE HEAD		74	7-688-001-01	W 2, SMALL	
61	3-318-237-01	SPRING, COMPRESSION		75	7-627-450-58	SCREW, PRECISION -K 1.7X3	
62	3-318-240-01	SCREW (1.4), SPECIAL		76	7-627-850-57	SCREW, PRECISION +P 1.4X3.5	
63	3-578-138-01	SHIM (t=0.1)		77	7-627-552-87	SCREW, PRECISION +P 1.7X2.2	
	3-578-138-11	SHIM (t=0.2)		78	7-627-552-67	SCREW, PRECISION +P 1.7X4.5	
	3-578-138-21	SHIM (t=0.3)		79	3-308-472-21	WASHER (C)(t=0.075)	
64	3-318-309-01	SPACER, HEAD			3-308-472-31	WASHER (C)(t=0.125)	

# SDC-500



No.	Part No.	Description	REMARKS	No.	Part No.	Description	REMARKS
101	3-701-437-11	WASHER (t=0.25)		110	3-306-836-02	CAP. REEL, T	
102	X-3318-211-1	FLYWHEEL ASSY		111	3-321-024-01	SPRING, COMPRESSION	
103	3-827-323-11	WASHER (DIA. 3.1)		112	3-318-241-01	SPRING, COMPRESSION	
104	3-318-324-01	BUSHING, IDLER LEVER		113	X-3318-204-1	GEAR ASSY, REW	
105	X-3318-210-1	LEVER ASSY, FWD IDLER		114	3-701-437-21	WASHER (t=0.5)	
106	X-3318-207-1	GEAR (A) ASSY, FR		115	3-570-615-00	POLY-WASHER (DIA.1.2)	
107	3-578-265-11	WASHER, STOPPER		116	3-318-265-01	GEAR (B), FR	
108	3-318-236-01	WASHER, POLY, SLIT		117	3-318-204-81	SCREW (M1.7X3), TAPPING	
109	3-701-437-01	WASHER (t=0.13)					

5-4.



No.	Part No.	Description	REMARKS	No.	Part No.	Description	REMARKS
151	X-3595-606-1	CHASSIS ASSY, HEAD		164	3-595-637-01	LEVER, FF	
152	*3-318-294-01	PLATE, LOCK		165	3-318-276-01	SPRING	
153	3-318-248-01	SPRING, TENSION		166	3-318-251-01	SPRING, TENSION	
154	X-3595-605-1	LEVER ASSY, SWITCH		167	3-595-638-01	LEVER, REW	
155	3-547-669-00	SPRING, TENSION		168	3-318-277-01	SPRING, REW	
156	3-595-639-01	LEVER, STOP		169	3-565-927-00	SPRING, TENSION	
157	3-318-296-01	LEVER, SHUT-OFF		170	3-595-636-01	LEVER, LOAD	
158	3-318-336-01	SPRING, TENSION		171	3-318-246-01	SPRING, TENSION	
159	X-3318-208-1	LEVER ASSY, FR		172	7-624-101-01	RING, RETAINING E-1.2	
160	7-627-850-07	SCREW, PRECISION +P 1.4X2		173	X-3595-604-1	LEVER ASSY, SAVE	
161	3-318-288-01	ARM, FF		174	3-318-247-01	SPRING, TENSION	
162	3-318-243-01	SPRING, TENSION		175	X-3595-617-1	CHASSIS ASSY, SUB	110-114
163	3-318-250-01	SPRING, TENSION		176	*3-318-267-01	LEVER, CR	

**SECTION 6  
ELECTRICAL PARTS LIST**

**NOTE:**

- Items marked " \* " are not stocked since they are seldom required for routine service. Some delay should be anticipated when ordering these items.
- If there are two or more same circuits in a set such as a stereophonic machine, only typical circuit parts may be indicated and capacitors and resistors in other same circuits may be omitted.

**CAPACITORS:**  
MF:  $\mu$ F, PF:  $\mu$ MF.

**RESISTORS**  
· All resistors are in ohms.  
· F : nonflammable

**COILS**  
· MMH : mH, UH :  $\mu$ H

**SEMICONDUCTORS**  
In each case, U :  $\mu$ , for example:  
UA...:  $\mu$ A..., UPA...:  $\mu$ PA..., UPC...:  $\mu$ PC,  
UPD...:  $\mu$ PD...

ELECTRICAL PARTS				
Ref.No.	Part No.	Description		
901	*1-614-430-11	PC BOARD, SWITCH		
902	*1-614-429-11	PC BOARD, AUDIO		
C101	1-123-369-00	ELECT	4.7MF	20% 63V
C102	1-101-001-00	CERAMIC	0.001MF	50V
C103	1-123-330-00	ELECT	22MF	20% 25V
C104	1-161-013-00	CERAMIC	0.01MF	10% 25V
C105	1-102-115-00	CERAMIC	560PF	10% 50V
C106	1-123-306-00	ELECT	47MF	20% 10V
C107	1-161-013-00	CERAMIC	0.01MF	10% 25V
C108	1-123-306-00	ELECT	47MF	20% 10V
C109	1-102-115-00	CERAMIC	560PF	10% 50V
C110	1-161-055-00	CERAMIC	0.022MF	10% 50V
C111	1-161-047-00	CERAMIC	0.0047MF	10% 50V
C112	1-123-369-00	ELECT	4.7MF	20% 63V
C113	1-123-380-00	ELECT	1MF	20% 100V
C114	1-123-379-00	ELECT	0.47MF	20% 100V
C115	1-123-379-00	ELECT	0.47MF	20% 100V
C116	1-123-379-00	ELECT	0.47MF	20% 100V
C117	1-123-369-00	ELECT	4.7MF	20% 63V
C118	1-101-001-00	CERAMIC	0.001MF	50V
C119	1-123-306-00	ELECT	47MF	20% 10V
C120	1-123-356-00	ELECT	10MF	20% 50V
C121	1-123-306-00	ELECT	47MF	20% 10V
C122	1-123-307-00	ELECT	100MF	20% 10V
C123	1-123-309-00	ELECT	330MF	20% 10V
C124	1-123-306-00	ELECT	47MF	20% 10V
C125	1-161-013-00	CERAMIC	0.01MF	10% 25V
C126	1-161-024-00	CERAMIC	0.082MF	10% 25V
C127	1-123-308-00	ELECT	220MF	20% 10V
C128	1-123-306-00	ELECT	47MF	20% 10V
C129	1-123-306-00	ELECT	47MF	20% 10V
C131	1-106-192-00	MYLAR	0.0068MF	5% 100V
C132	1-101-001-00	CERAMIC	0.001MF	50V
C133	1-123-306-00	ELECT	47MF	20% 10V
C134	1-102-106-00	CERAMIC	100PF	10% 50V
C135	1-102-106-00	CERAMIC	100PF	10% 50V
C301	1-161-052-00	CERAMIC	0.012MF	10% 50V
C302	1-123-356-00	ELECT	10MF	20% 50V
C303	1-102-106-00	CERAMIC	100PF	10% 50V
C304	1-131-455-00	TANTALUM	0.47MF	20% 16V
C305	1-131-375-00	TANTALUM	4.7MF	10% 10V
C306	1-123-330-00	ELECT	22MF	20% 25V
C601	1-131-347-00	TANTALUM	1MF	20% 35V
C602	1-123-330-00	ELECT	22MF	20% 25V

ELECTRICAL PARTS				
Ref.No.	Part No.	Description		
D101	8-719-911-19	DIODE 1SS119		
D102	8-719-911-19	DIODE 1SS119		
D103	8-719-800-27	DIODE TLRG101		
D104	8-719-200-02	DIODE 10E2		
D301	8-719-911-19	DIODE 1SS119		
HE101	8-658-096-02	HEAD, ERASE EBF5-36		
HRP101	8-829-336-35	HEAD (PP134-36T)		
IC101	8-759-200-49	IC TA7628P		
IC301	8-759-600-00	IC M51143L		
IC601	8-759-801-12	IC LA5523		
J101	1-507-562-00	JACK (SAVE)		
J102	1-507-562-00	JACK (LOAD)		
J103	1-507-563-00	DC JACK (DC IN 6V)		
J104	1-507-922-00	JACK (REMOTE)		
M101	8-835-105-01	MOTOR, DC (DNR-6900A)		
Q101	8-729-606-33	TRANSISTOR 2SC2603-F		
Q102	8-729-606-33	TRANSISTOR 2SC2603-F		
Q103	8-729-606-33	TRANSISTOR 2SC2603-F		
Q104	8-729-606-33	TRANSISTOR 2SC2603-F		
Q301	8-729-606-33	TRANSISTOR 2SC2603-F		
Q302	8-729-606-33	TRANSISTOR 2SC2603-F		
R101	1-247-843-00	CARBON	3.3K 5%	1/6W
R102	1-247-815-00	CARBON	220 5%	1/6W
R103	1-247-857-00	CARBON	12K 5%	1/6W
R104	1-247-865-00	CARBON	27K 5%	1/6W
R105	1-247-891-00	CARBON	330K 5%	1/6W
R106	1-247-823-00	CARBON	470 5%	1/6W
R107	1-247-893-00	CARBON	390K 5%	1/6W
R108	1-247-861-00	CARBON	18K 5%	1/6W
R109	1-247-849-00	CARBON	5.6K 5%	1/6W
R110	1-247-895-00	CARBON	470K 5%	1/6W
R111	1-247-831-00	CARBON	1K 5%	1/6W
R112	1-247-831-00	CARBON	1K 5%	1/6W
R113	1-247-831-00	CARBON	1K 5%	1/6W
R114	1-247-869-00	CARBON	39K 5%	1/6W
R115	1-247-863-00	CARBON	22K 5%	1/6W
R116	1-247-847-00	CARBON	4.7K 5%	1/6W
R117	1-247-873-00	CARBON	56K 5%	1/6W
R118	1-247-815-00	CARBON	220 5%	1/6W
R119	1-247-843-00	CARBON	3.3K 5%	1/6W
R120	1-247-825-00	CARBON	560 5%	1/6W
R122	1-247-839-00	CARBON	2.2K 5%	1/6W
R123	1-247-823-00	CARBON	470 5%	1/6W
R124	1-247-809-00	CARBON	120 5%	1/6W
R125	1-247-809-00	CARBON	120 5%	1/6W



ELECTRICAL PARTS

<u>Ref.No.</u>	<u>Part No.</u>	<u>Description</u>			
R126	1-247-805-00	CARBON	82	5%	1/6W
R127	1-247-807-00	CARBON	100	5%	1/6W
R128	1-247-815-00	CARBON	220	5%	1/6W
R129	1-247-869-00	CARBON	39K	5%	1/6W
R301	1-247-895-00	CARBON	470K	5%	1/6W
R302	1-247-839-00	CARBON	2.2K	5%	1/6W
R303	1-247-841-00	CARBON	2.7K	5%	1/6W
R304	1-247-899-00	CARBON	680K	5%	1/6W
R305	1-247-895-00	CARBON	470K	5%	1/6W
R306	1-247-899-00	CARBON	680K	5%	1/6W
R307	1-247-843-00	CARBON	3.3K	5%	1/6W
R309	1-247-839-00	CARBON	2.2K	5%	1/6W
R601	1-247-857-00	CARBON	12K	5%	1/6W
R602	1-247-865-00	CARBON	27K	5%	1/6W
R603	1-247-845-00	CARBON	3.9K	5%	1/6W
R604	1-247-857-00	CARBON	12K	5%	1/6W
RV101	1-230-658-11	RES, VAR, SLIDE 10K			
RV301	1-230-682-11	RES, ADJ, CARBON 1M			
RV601	1-228-994-00	RES, ADJ, CARBON 10K			
S101	1-570-085-11	SWITCH, SLIDE (LOAD/SAVE SELECT)			
S102	1-570-084-11	SWITCH, PUSH (1 KEY)(MUTE)			
S103	1-570-086-11	SWITCH, SLIDE (MONITOR)			
S104	1-570-097-11	SWITCH, LEAF (FF/REW)			
S105	1-570-097-11	SWITCH, LEAF (POWER)			
S106	1-570-083-11	SWITCH, SLIDE (PHASE)			
SP101	1-503-423-11	SPEAKER, PIEZOELECTRIC BUZZER			
T101	1-433-246-00	TRANSFORMER, BIAS OSC			
TH601	1-806-881-11	THERMISTOR (POSITIVE)			
TH602	1-800-070-XX	THERMISTOR 5k			

ACCESSORY & PACKING MATERIAL

<u>Part No.</u>	<u>Description</u>
2-260-606-00	BAG, PROTECTION (FOR SET)
3-595-643-01	CUSHION (LEFT)
3-595-644-01	CUSHION (RIGHT)
3-595-647-01	INDIVIDUAL CARTON
3-701-626-00	BAG, POLYETHYLENE(FOR INSTRUCTION MANUAL)
3-760-176-11	MANUAL, INSTRUCTION
3-760-176-41	MANUAL, INSTRUCTION